



TR1: TRANSITION REPORT

This document is provided as useful and general guidance in the assistance of engineers who wish to transition from a GCT product that is undergoing obsolescence to a current GCT product.

Date of Report: (DD/MM/YYYY)	02/03/2023	Report Version:	1
Product Identifiers: FROM	USB1075 rev E2	TO:	USB1135 rev A1

SUMMARY

USB1135 is a drop-in replacement for USB1075 with minor dimensional and appearance differences, durability performance is improved from 5000 cycles to 20000 cycles, new version allows options on plating, insulator material, insulator colour.

TRANSITION DETAILS

Description of Transitional Issues by Category:	
FORM & DIMENSIONS:	Minor differences on dimensions and appearance, please see below drawing and appearance comparisons
FOOTPRINT/LAYOUT:	Same footprint
FIT/MATING ISSUES:	NO CHANGE
FUNCTION:	NO CHANGE
ELECTRICAL ISSUES:	Power pin current rating upgrade from 1.8A to 3A
PLATING ISSUES:	USB1135 has 2 options for plating: 15u" Gold and GF
MATERIALS:	Shell material change from copper alloy to SUS304 Insulator material options: PA9T and PBT Insulator colour options: Black and Blue
DURABILITY & FORCES:	Durability is improved from 5000 cycles to 20000 cycles.
PACKAGING:	NO CHANGE
PICK & PLACE ISSUES:	NO CHANGE
AVAILABILITY/OPTIONS/VARIANTS:	NO CHANGE
ENVIRONMENTAL/TEMPERATURE ISSUES:	NO CHANGE
CERTIFICATIONS:	NO CHANGE

DISCLAIMER: This document is intended as useful advice to Engineers seeking to transition between the above-referenced connectors; it does not in any way create a legal or contractual obligation upon GCT, nor should it be considered as a replacement for the normal sampling, prototyping and testing activities that should always be undertaken prior to the adoption of a new connector into a product design.

TR1	Version 1.01		
Prepared by:	MJC	Prepared:	10/05/2017
Reviewed by:	ST	Reviewed:	10/05/2017
Approved by:	LH	Approved:	10/05/2017

This document is provided as useful and general guidance in the assistance of engineers who wish to transition from a GCT product that is undergoing obsolescence to a current GCT product.

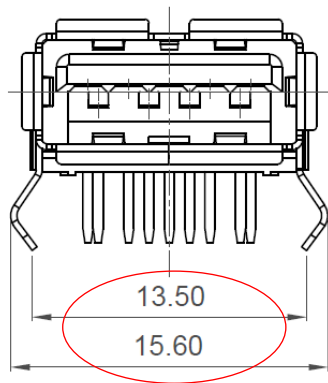
Date of Report: (DD/MM/YYYY)	02/03/2023	Report Version:	1
Product Identifiers: FROM	USB1075 rev E2	TO:	USB1135 rev A1

OTHER ISSUES: None

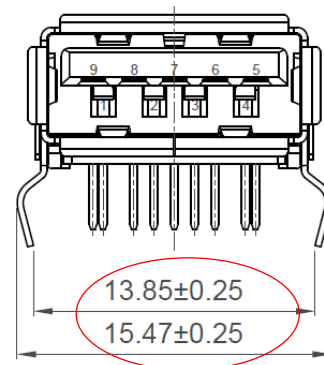
Transition Diagrams & Images:

Comparison of product drawings:

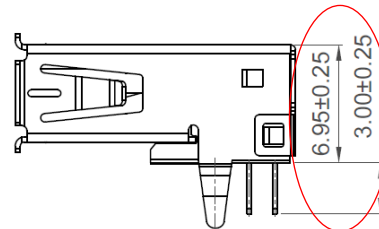
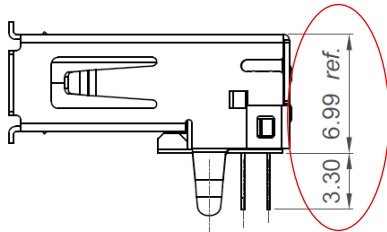
USB1075



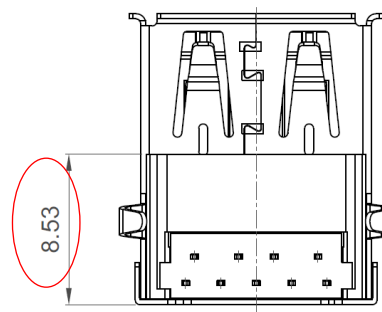
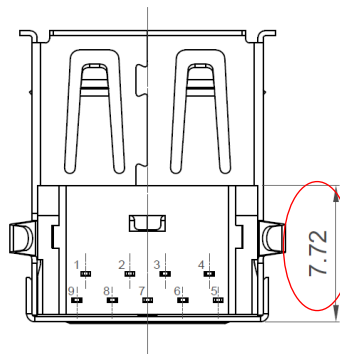
USB1135



Minor differences on shell stake, but both parts are compatible with the same PCB layout



Difference on solder tails length



Differences on insulator length

DISCLAIMER: This document is intended as useful advice to Engineers seeking to transition between the above-referenced connectors; it does not in any way create a legal or contractual obligation upon GCT, nor should it be considered as a replacement for the normal sampling, prototyping and testing activities that should always be undertaken prior to the adoption of a new connector into a product design.

TR1 Version 1.01

Prepared by: MJC

Reviewed by: ST

Approved by: LH

Prepared: 10/05/2017

Reviewed: 10/05/2017

Approved: 10/05/2017

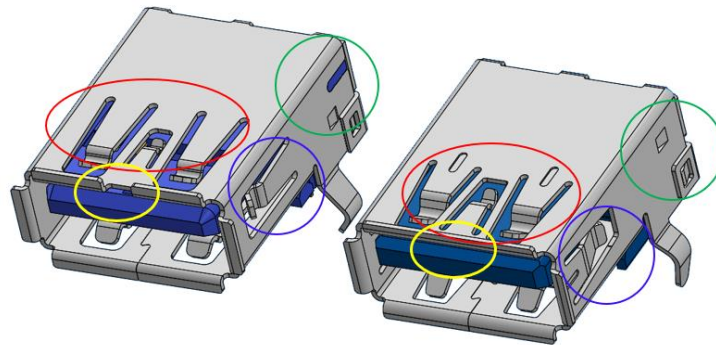
This document is provided as useful and general guidance in the assistance of engineers who wish to transition from a GCT product that is undergoing obsolescence to a current GCT product.

Date of Report: (DD/MM/YYYY)	02/03/2023	Report Version:	1
Product Identifiers: FROM	USB1075 rev E2	TO:	USB1135 rev A1

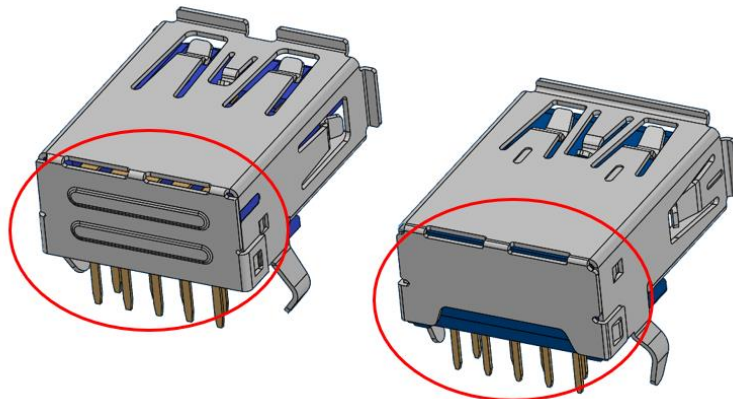
Comparison of product appearance

USB1075

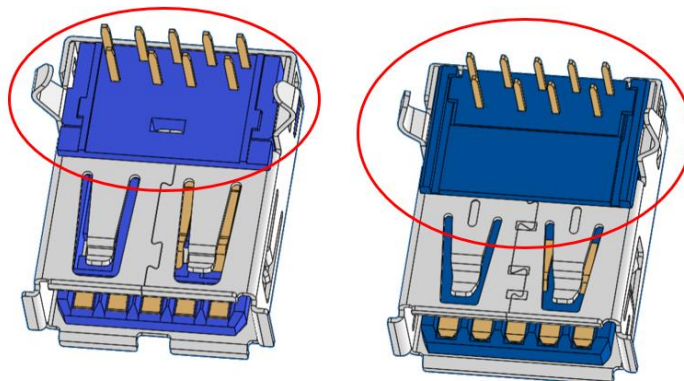
USB1135



Differences on shell spring, flange, lock feature



Differences on back view



Differences on bottom insulator and shell rib

DISCLAIMER: This document is intended as useful advice to Engineers seeking to transition between the above-referenced connectors; it does not in any way create a legal or contractual obligation upon GCT, nor should it be considered as a replacement for the normal sampling, prototyping and testing activities that should always be undertaken prior to the adoption of a new connector into a product design.

TR1 Version 1.01

Prepared by: MJC

Reviewed by: ST

Approved by: LH

Prepared: 10/05/2017

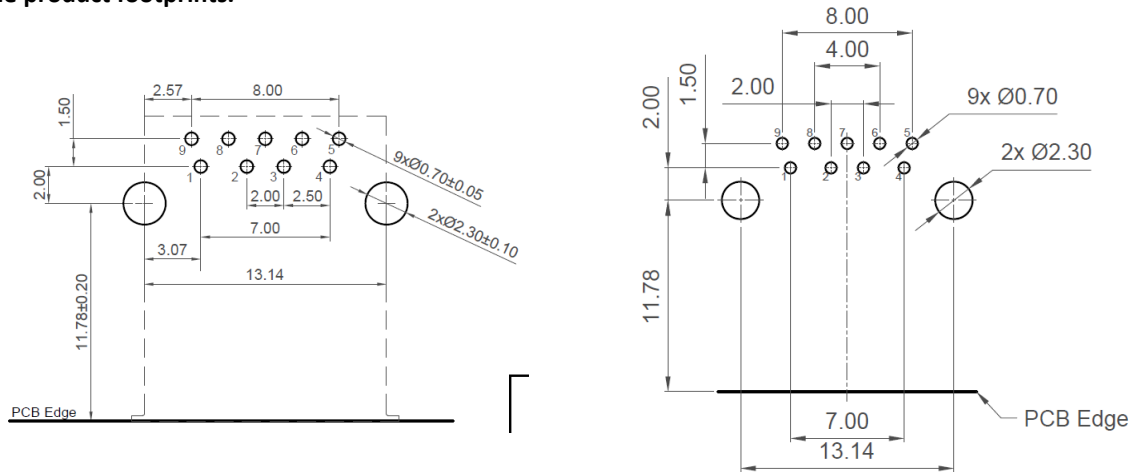
Reviewed: 10/05/2017

Approved: 10/05/2017

This document is provided as useful and general guidance in the assistance of engineers who wish to transition from a GCT product that is undergoing obsolescence to a current GCT product.

Date of Report: (DD/MM/YYYY)	02/03/2023	Report Version:	1
Product Identifiers: FROM	USB1075 rev E2	TO:	USB1135 rev A1

Same product footprints.



Additional Notes:

None

Contact Information(s): (if blank, please visit www.gct.co or use the regional details below).

GCT Europe (UK) +44 (0)1707 321122 sales@gct-europe.com	GCT Americas (USA) +1 978 208 1618 sales@gct-americas.com	GCT Asia-Pacific (HK) +852 2578 9030 sales@gct-apac.com

DISCLAIMER: This document is intended as useful advice to Engineers seeking to transition between the above-referenced connectors; it does not in any way create a legal or contractual obligation upon GCT, nor should it be considered as a replacement for the normal sampling, prototyping and testing activities that should always be undertaken prior to the adoption of a new connector into a product design.

TR1 Version 1.01	Prepared: 10/05/2017
Prepared by: MJC	Reviewed: 10/05/2017
Reviewed by: ST	Approved: 10/05/2017
Approved by: LH	